



CX-DE1200 Series Delayed Egress Magnetic Lock



CX-DE1200 Series Single and Double Door delayed egress magnetic locks are designed to provide the best performance and value in healthcare, childcare, retail, and institutional applications.

The innovative human voice and LED count down timer offers immediate comprehension of status for building occupants. These rugged locks are available in a range of models, with factory default operation, to meet NFPA, BOCA and local AHJ requirements.

The CX-DE1200 is now available with optional system accessories and mounting devices for added versatility.

Features

- Single and double door models
- Nuisance Delay period 1, 2 or 3 seconds
- Voice annunciator & progressive LED count-down timer
- Choice of sensor activation:
 - Door Motion
 - Door Exit Device with momentary N/O contact
 - Push Bar with momentary N/O contact
- Auto / manual start-up on power restore
- Vandal Resistant proximity trigger sensor
- Auto sensing power input with polarity protection
- Anti-Pass back / Auto Re-Lock
- Available accessories include: sounder, speaker, reset station & mounting devices



SPECIFICATIONS

VOLTAGE: 12/24 VDC +/- 10% (Auto Sensing)
 CURRENT DRAW: 600mA / 350mA
 DPS RATING: 30 VDC, 0.1A (max.)
 ATS RATING: 30 VAC / 42.4 VDC, 5A (Max.)
 LOCK STATUS RELAY RATING: 30 VDC, 2A (Max.)
 ALARM OUTPUT RATING: 30 VDC, 2A (Max.)

BOND SENSOR RATING: **CX-DE1200:** 30 VDC, 2A (Max.)
 HOLDING FORCE: Up to 1,200 lbs. (544 kg.)
 TEMPERATURE RANGE: 32°F - 131°F (0°C to 55°C)

DIMENSIONS:

ARMATURE PLATE: 2-5/8"H x 11"W x 1"D (68mm x 280mm x 25mm)
 LOCK: 3"H x 11"W x 3"D (76mm x 280mm x 76mm)

MODELS	DELAY RELEASE TIME (SECONDS)		NUISANCE DELAY (SECONDS)		RESET AFTER ALARM		LOCK STATUS ON POWER-UP	
	FIXED	SELECTABLE	FIXED	SELECTABLE	FIXED	SELECTABLE	FIXED	SELECTABLE
CX-DE1200/1220-N1		15 or 30		1 or 2		Manual		Locked / Unlocked
CX-DE1200/1220-N2	15			0 or 1		Manual		Locked / Unlocked
CX-DE1200/1220-N3	30			0 or 1		Manual		Locked / Unlocked
CX-DE1200/1220-N4	15			0 or 1		Manual	Unlocked	
CX-DE1200/1220-B1	15			0 or 3	Auto / Manual			Locked / Unlocked
CX-DE1200/1220-B2	30			0 or 3	Auto / Manual			Locked / Unlocked
CX-DE1200/1220-B3	15		0		Auto / Manual			Locked / Unlocked

N# = NFPA COMPLIANCE B# = BOCA COMPLIANCE

Local Approval: Installations must be approved by the Authority Having Jurisdiction (AHJ). Select the operational mode that meets your application and AHJ approval.

ORDERING INFORMATION

Delayed Egress Maglocks (4 wall signs included. See page 4)

CX-DE1200

Single Door

Models:

CX-DE1200-N1, CX-DE1200-N2, CX-DE1200-N3, CX-DE1200-N4,
 CX-DE1200-B1, CX-DE1200-B2, CX-DE1200-B3



CX-DE1220

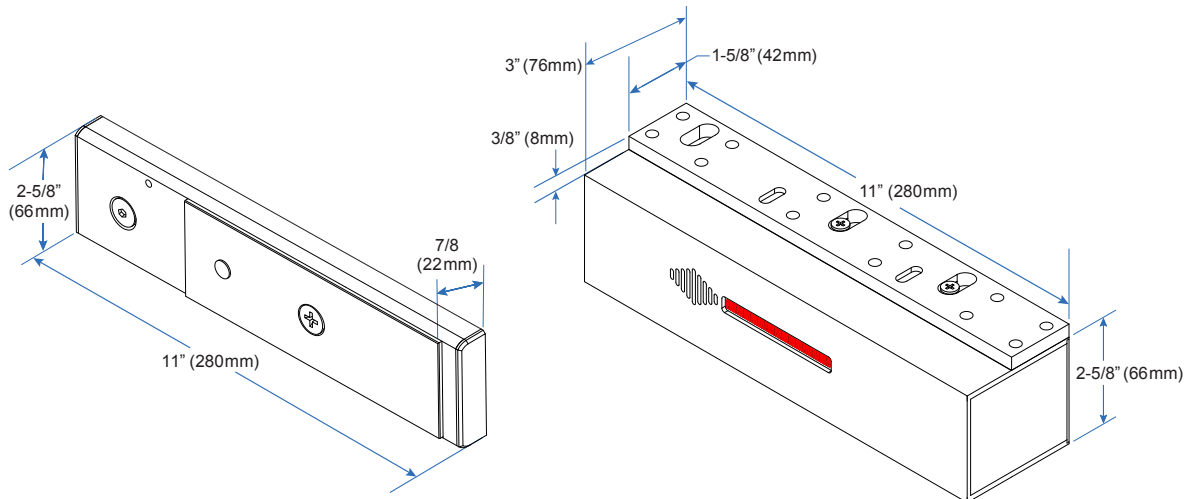
Double Door (Single & Tandem)

Models:

CX-DE1220-N1, CX-DE1220-N2,
 CX-DE1220-N3, CX-DE1220-N4,
 CX-DE1220-B1, CX-DE1220-B2, CX-DE1220-B3



DIMENSIONS (CX-DE-1200)



ORDERING INFORMATION

Mounting Accessories

SPACER BARS - Fills the space between the door stop and header jam of the frame to provide a wide flat surface to mount the magnetic lock.

L BRACKETS - Used to mount the magnetic lock to the side of the frame header when the lock cannot be mounted under a header jam of the frame.



CX-DE1214-38
3/8" Spacer Bar



CX-DE1214-58
5/8" Spacer Bar



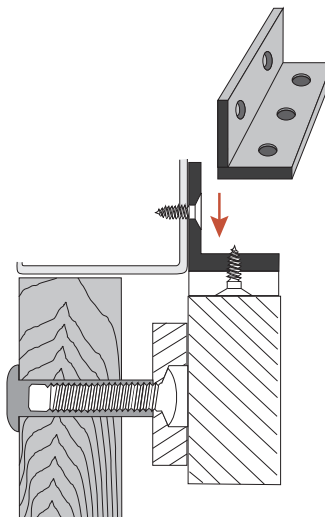
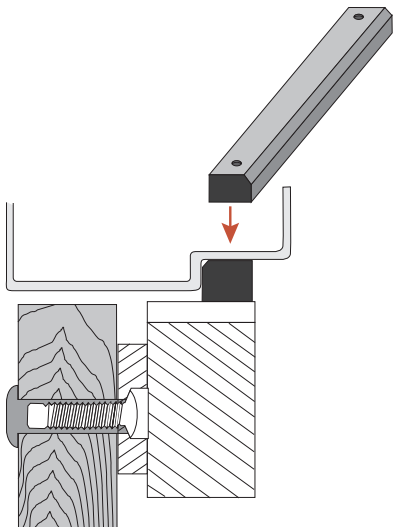
CX-DE1215
1" x 1-1/2" L Bracket



CX-DE1216
1-1/2" x 1-1/2" L Bracket



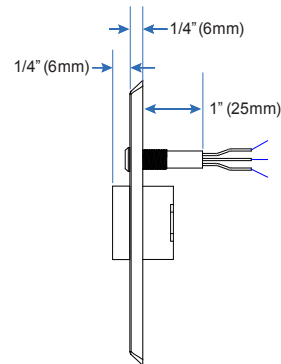
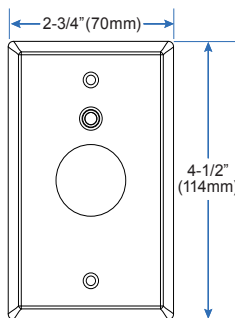
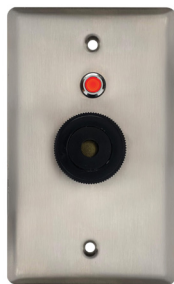
CX-DE1217
2" L Bracket



System Accessories

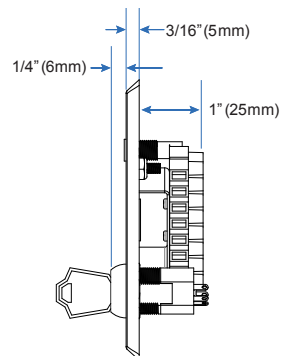
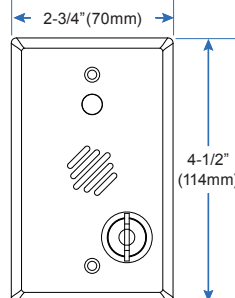
CX-DE502SO

Remote Annunciator for both audio & visual distinction
The stainless steel faceplate has a piezo and tri-color LED



CX-DESPK

Remote Speaker Station for both audio & visual distinction
3 LED color states and 8-ohm speaker for remote messaging



ORDERING INFORMATION

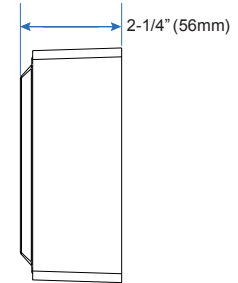
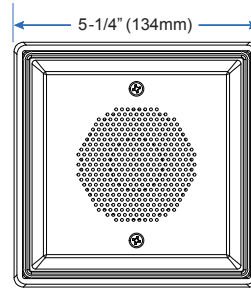
System Accessories

CX-DESPK15/54i

External 15-watt Audio Speaker Station

Surface Mount

Aura™ PCB feature displays 3 colors for designated states

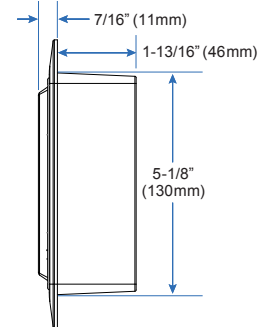
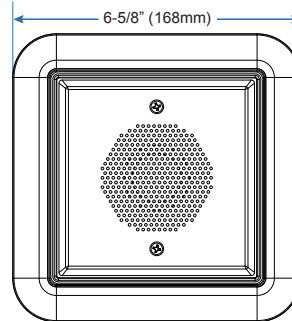


CX-DESPK15/55i

External 15-watt Audio Speaker Station

Flush Mount

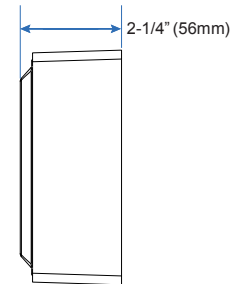
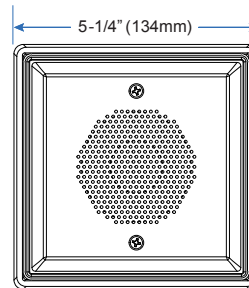
Aura™ PCB feature displays 3 colors for designated states



CX-DESPK15SM

External 15-watt Audio Speaker Station

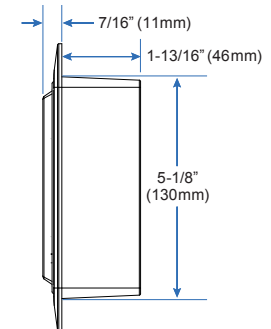
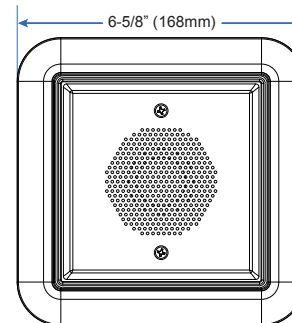
Surface Mount



CX-DESPK15FM

External 15-watt Audio Speaker Station

Flush Mount



Included with
CX-DE1200 / CX-DE1220
4.5" x 13" (11 cm x 32.8 cm)

4 door signs with 15 or 30 second delay options

PUSH UNTIL ALARM SOUNDS. DOOR CAN BE OPENED IN 15 SECONDS.

KEEP PUSHING. THIS DOOR WILL OPEN IN 15 SECONDS. ALARM WILL SOUND.

PUSH UNTIL ALARM SOUNDS. DOOR CAN BE OPENED IN 30 SECONDS.

KEEP PUSHING. THIS DOOR WILL OPEN IN 30 SECONDS. ALARM WILL SOUND.

60-57A027

Delayed Egress Sign
12" x 12" (30.5 cm x 30.5 cm)

Raised lettering and braille written language for the visually impaired.



Opening New Doors to Innovation, Quality, and Support!

2395 Skymark Ave, Mississauga, ON Canada L4W 4Y6 • Toll Free: 1(877) 226-3369 (CAMDEN9)
Tel: (905) 366-3377 | Fax: (905) 366-3378 | E-mail: info@camdencontrols.com | www.camdencontrols.com



Part #: MKTG-LIT-SP-CX-DE1200_R3